

# AI Outdoor Parking Management Camera



DATASHEET



## INTRODUCTION

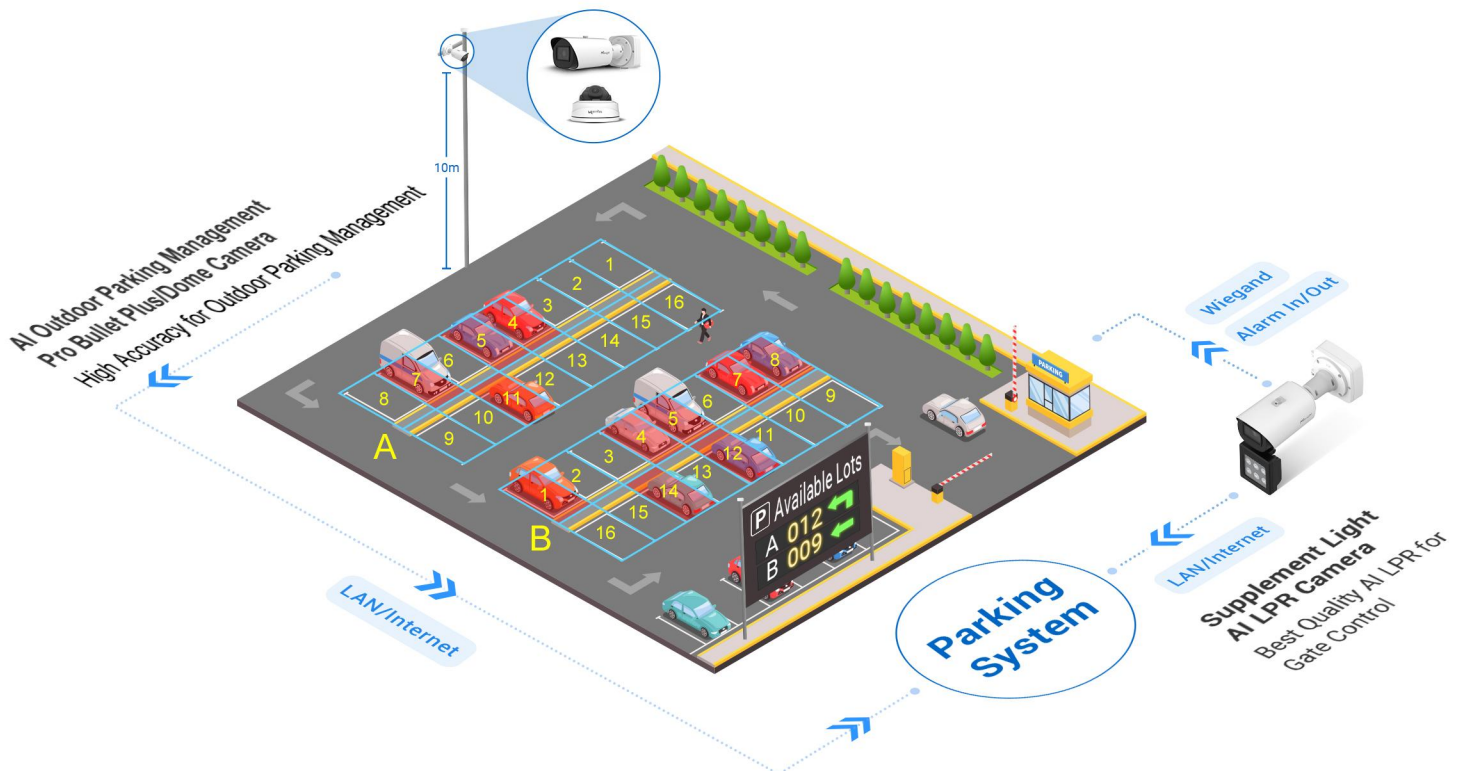
Milesight AI Outdoor Parking Management Camera is designed for outdoor parking management. High-accuracy outdoor parking space detection based on AI algorithm enables simultaneous detection and management of up to 100 parking spaces. Besides, excellent scene adaptability realizes 24/7 parking management surveillance to help guide parking for more efficient and intelligent parking management. Make parking easy and smart!



AI Outdoor Parking Management Pro Bullet Plus Camera



AI Outdoor Parking Management Pro Dome Camera





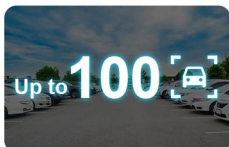
## KEY FEATURES

### Intelligent AI Parking Space Detection Algorithm

High-accuracy outdoor parking space detection based on AI algorithm can realize simultaneous detection and management of up to 100 parking spaces with up to 98% detection accuracy, which greatly helps guide parking and realizes more efficient and intelligent parking management.



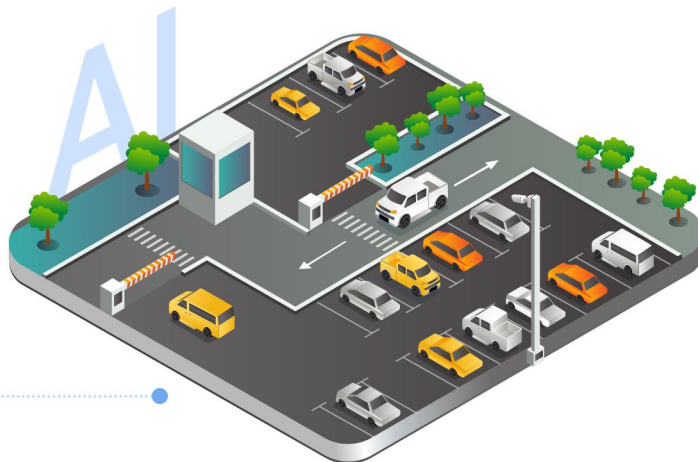
Intelligence AI Algorithm



Up to 100 Parking Spaces Management

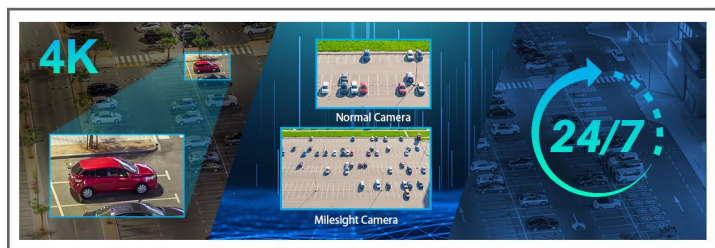


High Accuracy



### Excellent Scene Adaptability

With a series of cutting-edge image technologies, AI Outdoor Parking Management has excellent scene adaptability. The wide field of view of the motorized zoom lens allows for a wider monitoring range, while the 4K resolution ensures that the images are sharp enough. In addition, under the 1/1.8" STARVIS starlight sensor and image-based frame accumulation technology, it also ensures the detection of parking lots at night, providing 24/7 surveillance monitoring.



### High compatibility

To maximize the usability and compatibility, the AI Outdoor Parking Management Camera supports CGI/APIs, which allows the easy open integration with third-party platforms. The network protocol such as HTTP(s) offers a wide range of options for data processing. The parking information is transmitted to the third-party parking system to help form a complete set of solutions, guide the driver to find the parking space quickly and realize intelligent management.



### Unique Structure Design

The unique structure design of the camera enlarges the space and greatly saves efforts for installers, such as the integrated cable management bracket of Pro Bullet Plus Camera and the clamshell design of Pro Dome Camera. And the IP67-rated weather proofing and IK10-rated vandal proofing allow to protect the camera against adverse impacts to ensure the robust performance.



### Flexible Configuration



The configuration of Parking Space Detection is very flexible and convenient. Area Name, Planned Spaces of Area, Distribution and Numbering Scheme of the detection area can be customized, which provides a easy detection area configuration method and conforms to user habits. And the red overlay of the occupied parking space provides a more intuitive interface.



OBTAIN THE USER MANUAL

# AI Outdoor Parking Management Camera



	Name	AI Outdoor Parking Management Pro Bullet Plus Camera	AI Outdoor Parking Management Pro Dome Camera
<b>Camera</b>	Appearance		
	Model	PMC8266-FPC (4K)	PMC8272-FPC (4K)
	Image Sensor	1/1.8" Progressive Scan CMOS	
	Min. Illumination	Color: 0.009Lux@F1.4 B/W: 0Lux with IR on	
	WDR	120dB Super WDR	
	Shutter Time	1/100000s~1s	
	IR Distance	Up to 65m	Up to 50m
	Day/Night Mode	Day/Night/Auto/Customize/Schedule	
	S/N	>55dB	
	<b>Parking Space Management</b>	Parking Space Detection	Up to 100 Parking Spaces@10m
Detection Accuracy		>98%	
Data Report		Triggered Report: when parking space is occupied or released; Interval Report: regular report of entire parking situation	
Mounting Height		>3.5m	
<b>Lens</b>	Lens	Motorized 3.6~10mm@F1.4	
	Field of View	H116°~H48°/D134°~D55°/V65°~V27°	H110°~H46°/D126°~D54°/V61°~V25°
	Mount	Φ14	
	Focus Control	Auto/Manual	
<b>Video</b>	Max. Image Resolution	3840x2160	
	Primary Stream	60Hz: 30fps@(3840x2160, 3072x2048, 2592x1944, 2592x1520, 2048x1536, 1920x1080, 1280x960, 1280x720, 704x576) 50Hz: 25fps@(3840x2160, 3072x2048, 2592x1944, 2592x1520, 2048x1536, 1920x1080, 1280x960, 1280x720, 704x576)	
	Secondary Stream	60Hz: 30fps@(704x576, 640x480, 640x360, 352x288, 320x240, 320x192, 320x180) 50Hz: 25fps@(704x576, 640x480, 640x360, 352x288, 320x240, 320x192, 320x180)	
	Tertiary Stream	60Hz: 30fps@(1920x1080, 1280x720, 704x576, 640x480, 640x360, 320x240, 320x192, 320x180) 50Hz: 25fps@(1920x1080, 1280x720, 704x576, 640x480, 640x360, 320x240, 320x192, 320x180)	
	Video Compression	H.265+/H.265(HEVC)/H.264+/H.264/MJPEG	
	Video Bit Rate	16Kbps~16Mbps(CBR/VBR Adjustable)	

# AI Outdoor Parking Management Camera

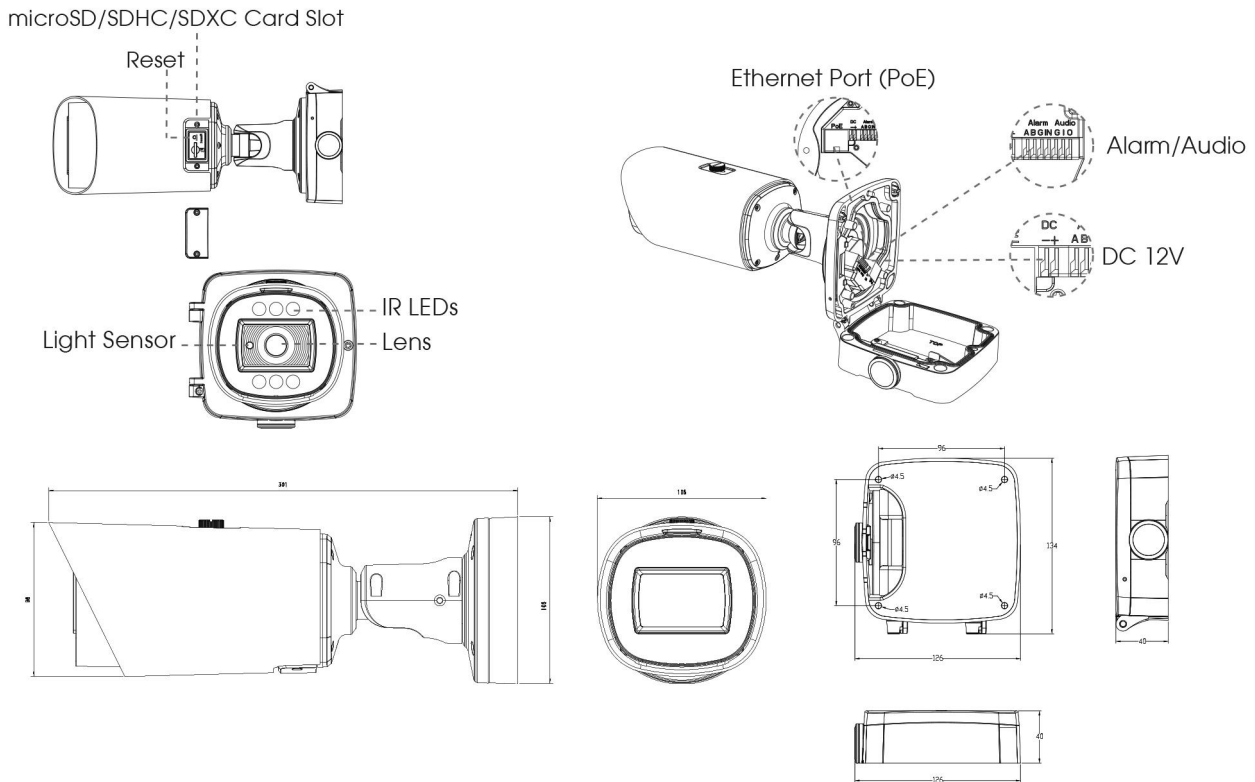


<b>Video</b>	Privacy Masking	Up to 28 areas(24 mask areas and 4 mosaic areas)	
	ROI	Up to 8 areas	
	Image Setting	Brightness/Contrast/Saturation/Sharpness	
<b>Interface</b>	Ethernet	1*RJ45 10M/100M Ethernet Port	
	Audio I/O	1/1	Built-in Microphone and 1 Audio Output interface
	Alarm I/O	1/1	
<b>Network</b>	Network Storage	NAS(Support NFS, SMB/CIFS), ANR	
	Protocol	IPv4/IPv6, ARP, TCP, UDP, RTCP, RTP, RTSP, RTMP, HTTP, HTTPS, DNS, DDNS, DHCP, FTP, NTP, SMTP, SNMP, UPnP, Bonjour, SIP, PPPoE, VLAN, 802.1x, QoS, IGMP, ICMP, SSL	
<b>Audio</b>	Audio Compression	G.711/AAC/G.722/G.726	
	Audio Sampling Rate	8/16/32/44.1/48KHz	
	Audio Bit Rate	16~256kbps	
	Two-way Audio	Support	
<b>System</b>	Storage	microSD/SDHC/SDXC Card Local Storage, up to 256G	
	Advanced Function	BLC, HLC, 2D DNR, 3D DNR, Defog, AWB, EIS, IP Address Filtering, AGC, Anti-flicker, Corridor Mode, Deblur, Watermark	
	SIP/VoIP Support	Yes, Voice & Video-over-IP	
	Event Trigger	Motion Detection, Network Disconnection, External Input, Audio Alarm, etc.	
	Event Action	FTP Upload, SMTP Upload, SD Card Record, External Output, SIP Phone, HTTP Notification, etc.	
	System Compatibility	ONVIF Profile G & Q & S & T, API	
<b>General</b>	Working Temperature	-40℃~60℃	
	Working Humidity	0~90%(Non-condensing)	
	Power Supply	PoE (802.3af) / DC 12V±10%	
	Power Consumption	8W MAX 17W MAX (With IR on)	10W MAX 13W MAX (With IR on)
	Housing	Vandal-proof IK10-rated Metal Housing / Up to IP67-rated for Weather-resistant Performance	
	Surge Protection	4KV	N/A
	Weight	1630g	1100g
	Dimensions	301mmX108mmX126mm	Ø143mmX108.4mm
	Warranty	3/5 Years	

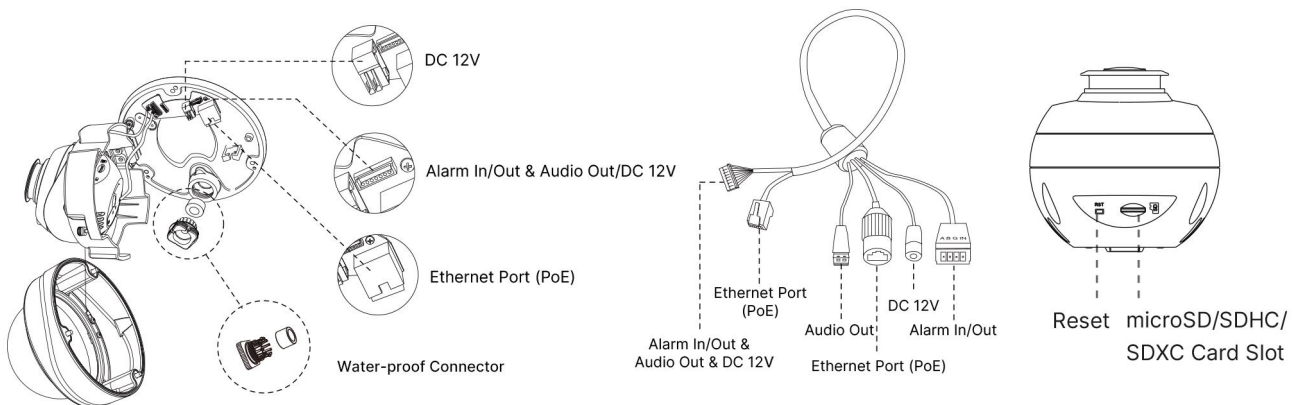


## Structure Diagrams

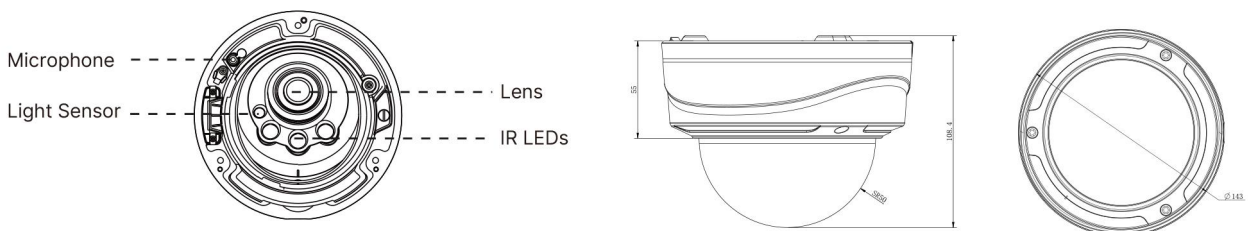
### AI Outdoor Parking Management Pro Bullet Plus Camera



### AI Outdoor Parking Management Pro Dome Camera



**Note:** The cable is connected with the interface board by default.



Units: mm



## Accessories Support

### AI Outdoor Parking Management Pro Bullet Plus Camera

#### A62 Junction Box(Default)

Weight: 510g  
Dimensions: 134\*126\*40mm



#### A01 Pole Mount

Weight: 720g  
Dimensions: 170\*51.5\*152.6mm



#### A03 External Corner Bracket

Weight: 900g  
Dimensions: 170\*152.5\*76.3mm



### AI Outdoor Parking Management Pro Dome Camera

#### A01 Pole Mount

Weight: 720g  
Dimensions: 170\*51.5\*152.6mm



#### A03 External Corner Bracket

Weight: 900g  
Dimensions: 170\*152.5\*76.3mm



#### A72 Wall Mount

Weight: 560g  
Dimensions: 240\*160\*136mm



#### A75 Junction Box

Weight: 200g  
Dimensions: 145\*167\*33.5mm



#### A76 Pendant Mount

Weight: 620g  
Dimensions: 136\*L  
(L is default as 300mm, also can be extended with A76-L)



#### A76-L Extension Lever

Weight: 315g  
Dimensions: 34\*300mm



#### A78 Recessed Mount

Weight: 715g  
Dimensions: 256\*256\*94mm

